

Evans Ball Valves

Process Cooling Water System



PW Series

- Full Port Design
- 1/4" - 6" Size Range
- Integrated Valve Assemblies
- Spool Manifolds up to 24' (7m) Lengths
- One-piece ANSI 150lb Flange Optional
- 100% Pressure Tested

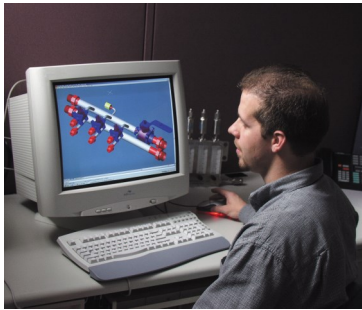
In today's climate, manufacturers require three things from their valve suppliers

- **Quality**
- **Lowest overall installed cost-of-ownership**
- **Reasonable delivery schedules for fast track projects**

Evans Components Inc. provides all three. Evans Ball Valves perform to the highest levels of leak integrity available in the market today. Our valves and valve assemblies are 100% leak tested across the seat, and at all mechanical connections, to ensure reliability.

We maintain an extensive ball valve sub-assembly inventory to ensure fast response to routine or custom orders. The flexibility of our designs allow us to further minimize lead times. Our overall installed costs for ball valve assemblies are the lowest in the industry. This is achieved through innovation, and the manufacture of all ball valve assemblies in a controlled, production environment.

24' (7m) Manifold Assemblies



Extensive Design Capabilities for OEM and Facility Installations



Custom Leak Test Fixture for Assemblies up to 24' (7m)



Example of Installation in the Field

Features

Lower Installation Costs

- Reduction of over 60% of the welds normally required with conventional fabrication
- Elimination of additional fittings (weld-o-lets, flanges, ect.)
- Fully assembled/tested manifold assemblies that conform to ANSI B31.1
- No valve disassembly required for welding

Quality Production

- Stringent work procedures developed for all aspects of manufacturing
- Assemblies 100% leak tested at a factory level

Full Selection of Ball Valves

- Sizes from 1/4" to 6"
- Integrated ball valve assemblies available with 304L/316L stainless pipe or tube

Locking Handles Standard

- Lock-out, tag-out requirements

Specifications

- Maximum Pressure Rating : 800 psig
- Pressure Rating 150 lb flange connections : 275 psig
- Temperature Rating: -20°F to 375°F at 100 psig

Flow Specifications (Cv)

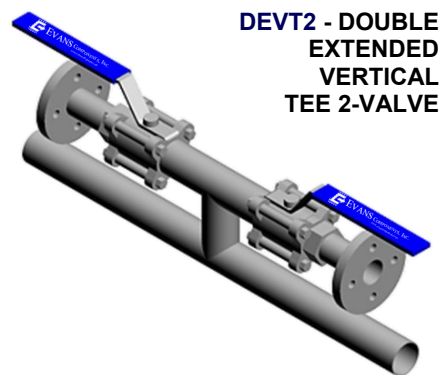
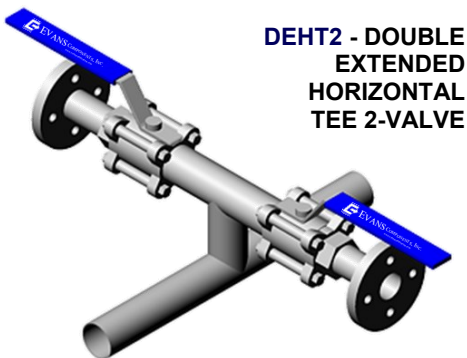
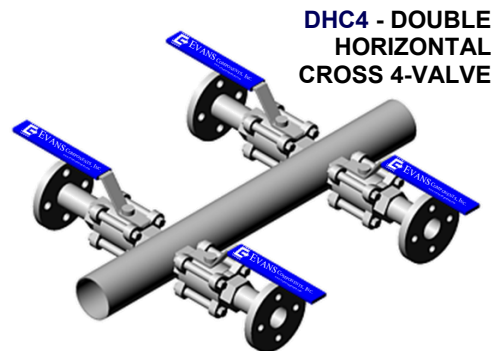
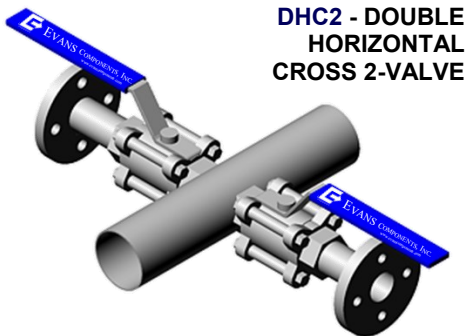
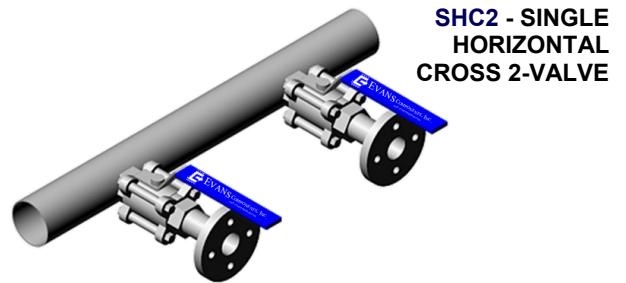
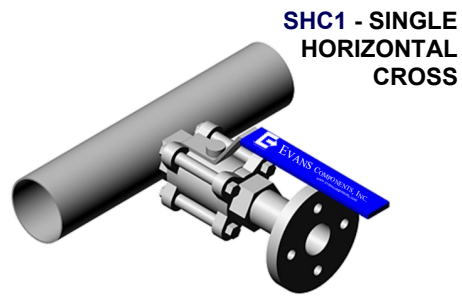
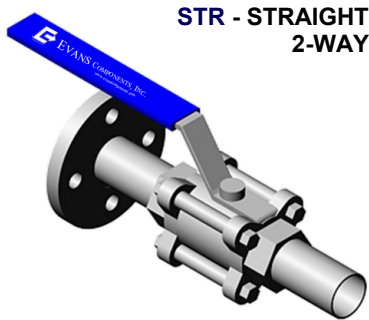
By Valve Size

1/4"	9.5	1"	60	3"	1320
3/8"	11.8	1-1/2"	130	4"	2550
1/2"	18	2"	360	6"	4550
3/4"	33	2-1/2"	831		

Spool/Manifold Assemblies

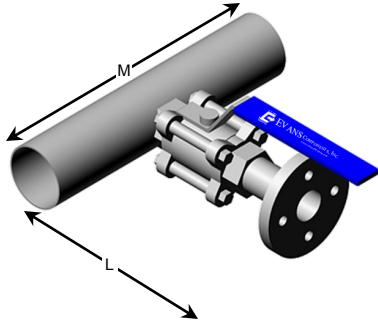
- All Spool/Manifold assemblies individually marked with standard catalog part number using part number matrix
- Manifold Assemblies 100% leak tested
- Wide variety of end connections
- Welding is performed in a controlled environment, all welds conform to ANSI B31.1
- Spool/Manifold assemblies available up to 24' (7m) in length

Standard Body Configurations Available



PW SERIES VALVE DIMENSIONS

Single Horizontal Cross (SHC1)

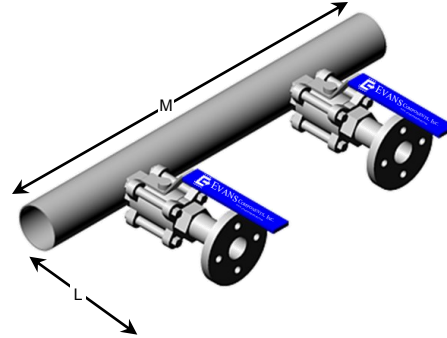


Size	"L" Dim	"M" Dim
3" x 1/2"	5.87	24
3" x 3/4"	6.35	24
3" x 1"	6.69	24
3" x 1-1/2"	8.49	24
4" x 3/4"	6.85	24
4" x 1"	7.19	24
4" x 1-1/2"	8.99	24

Size	"L" Dim	"M" Dim
4" x 2"	9.84	24
6" x 1-1/2"	10.04	24
6" x 2"	10.89	24
6" x 3"	12.78	24
8" x 2"	11.89	24
8" x 3"	13.78	24
10" x 2"	12.89	24
10" x 3"	14.78	24

Dimensions are +/- 0.5"
*Larger sizes available - Consult Factory

Single Horizontal Cross 2-Valve (SHC2)

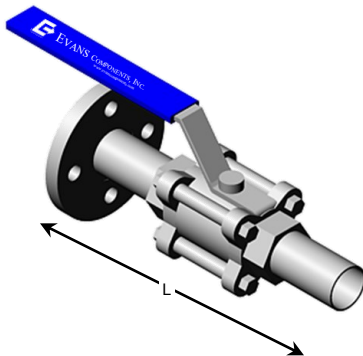


Size	"L" Dim	"M" Dim
3" x 1/2"	5.87	36
3" x 3/4"	6.35	36
3" x 1"	6.69	36
3" x 1-1/2"	8.49	36
4" x 3/4"	6.85	36
4" x 1"	7.19	36
4" x 1-1/2"	8.99	36

Size	"L" Dim	"M" Dim
4" x 2"	9.84	36
6" x 1-1/2"	10.04	36
6" x 2"	10.89	36
6" x 3"	12.78	36
8" x 2"	11.89	36
8" x 3"	13.78	36
10" x 2"	12.89	36
10" x 3"	14.78	36

Dimensions are +/- 0.5"
*Larger sizes available - Consult Factory

Straight 2-Way (STR)

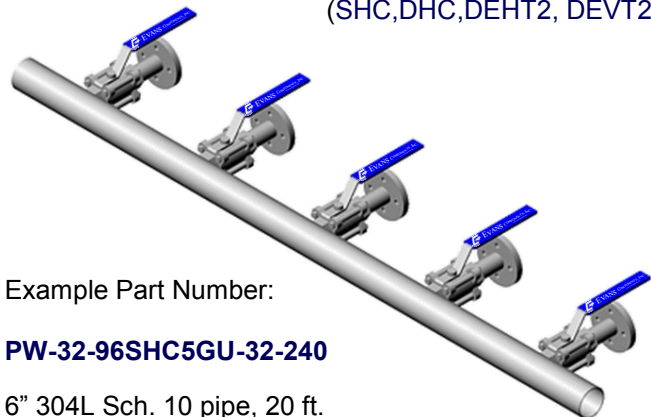


Size	"L" Dim
1/2"	6.95
3/4"	7.53
1"	7.96
1-1/2"	8.56
2"	10.14
3"	11.33
4"	12.25

Dimensions are +/- 0.5"
*Larger sizes available - Consult Factory

24' (6m) Long Manifold Assemblies

Consult factory for Manifold dimensions (SHC,DHC,DEHT2, DEVT2)



Example Part Number:

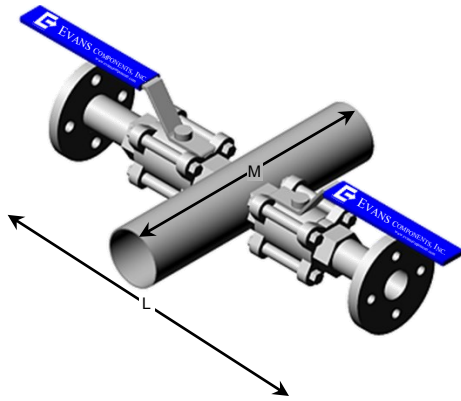
PW-32-96SHC5GU-32-240

6" 304L Sch. 10 pipe, 20 ft. long with 5 each 2" Evans Valves, 150 lb. ANSI flange outlet connections

*Dimensions are for reference only, certified drawings available upon request

PW SERIES VALVE DIMENSIONS

Double Horizontal Cross 2-Valve (DHC2)

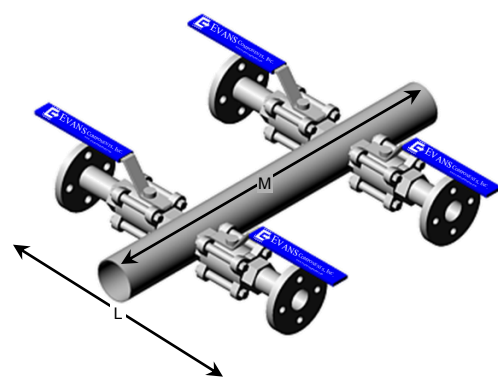


Size	"L" Dim	"M" Dim
3" x 1/2"	11.74	24
3" x 3/4"	12.70	24
3" x 1"	13.38	24
3" x 1-1/2"	16.98	24
4" x 3/4"	13.70	24
4" x 1"	14.38	24
4" x 1-1/2"	17.98	24

Size	"L" Dim	"M" Dim
4" x 2"	19.68	24
6" x 1-1/2"	20.10	24
6" x 2"	21.80	24
6" x 3"	25.58	24
8" x 2"	23.80	24
8" x 3"	27.58	24

Dimensions are +/- 0.5"
*C/F - Consult Factory

Double Horizontal Cross 4-Valve (DHC4)

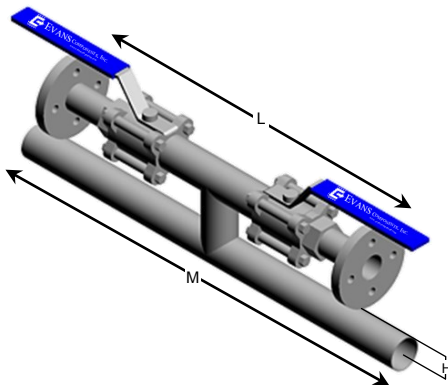


Size	"L" Dim	"M" Dim
3" x 1/2"	11.74	36
3" x 3/4"	12.70	36
3" x 1"	13.38	36
3" x 1-1/2"	16.98	36
4" x 3/4"	13.70	36
4" x 1"	14.38	36
4" x 1-1/2"	17.98	36

Size	"L" Dim	"M" Dim
4" x 2"	19.68	36
6" x 1-1/2"	20.10	36
6" x 2"	21.80	36
6" x 3"	25.58	36
8" x 2"	23.80	36
8" x 3"	27.58	36

Dimensions are +/- 0.5"
*C/F - Consult Factory

Double Extended Vertical Tee 2-Valve (DEVT2)

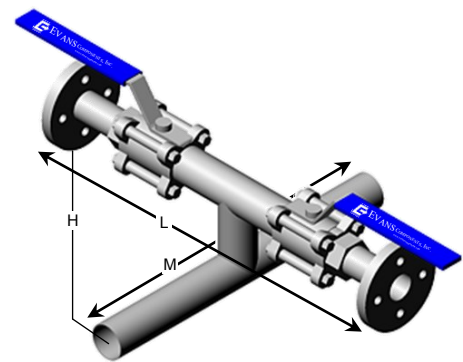


Size	"L" Dim	"H" Dim	"M" Dim
3" x 1/2"	10.24	2.75	24
3" x 3/4"	11.45	2.75	24
3" x 1"	12.88	2.75	24
3" x 1-1/2"	17.98	2.75	24
4" x 3/4"	11.45	3.25	24
4" x 1"	12.88	3.25	24
4" x 1-1/2"	17.98	3.25	24

Size	"L" Dim	"H" Dim	"M" Dim
4" x 2"	20.18	4.31	36
6" x 1-1/2"	17.98	4.31	24
6" x 2"	20.18	4.31	36
6" x 3"	25.71	4.31	36
8" x 2"	20.18	5.31	36
8" x 3"	25.71	5.31	36

Dimensions are +/- 0.5"
*C/F - Consult Factory

Double Extended Horizontal Tee 2-Valve (DEHT2)



Size	"L" Dim	"H" Dim	"M" Dim
3" x 1/2"	10.24	2.75	24
3" x 3/4"	11.45	2.75	24
3" x 1"	12.88	2.75	24
3" x 1-1/2"	17.98	2.75	24
4" x 3/4"	11.45	3.25	24
4" x 1"	12.88	3.25	24
4" x 1-1/2"	17.98	3.25	24

Size	"L" Dim	"H" Dim	"M" Dim
4" x 2"	20.18	4.31	24
6" x 1-1/2"	17.98	4.31	24
6" x 2"	20.18	4.31	24
6" x 3"	25.71	4.31	24
8" x 2"	20.18	5.31	24
8" x 3"	25.71	5.31	24

Dimensions are +/- 0.5"
*C/F - Consult Factory

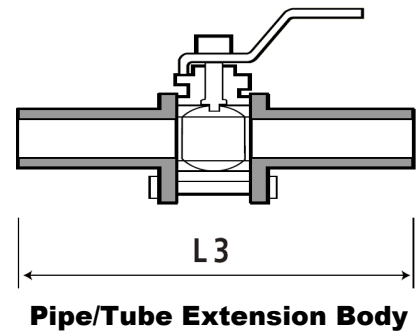
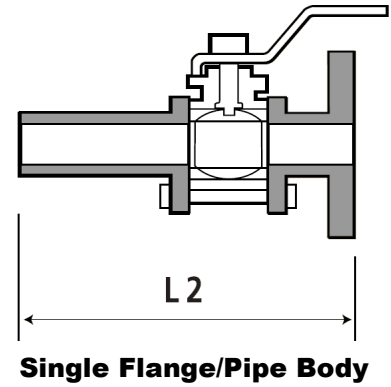
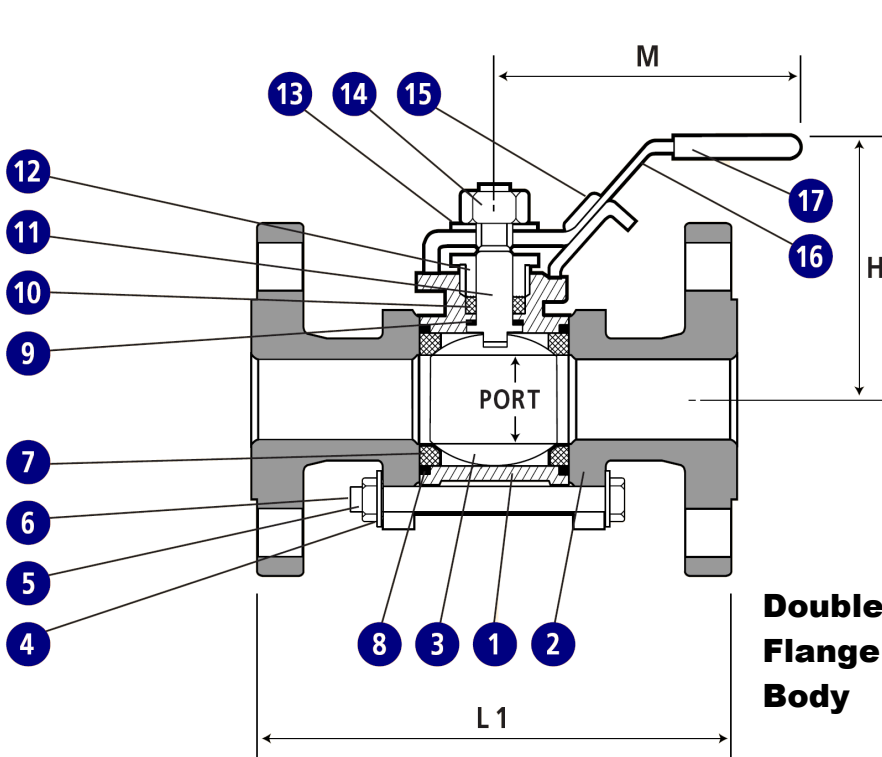
*Dimensions are for reference only, certified drawings available upon request

Evans Components Inc.

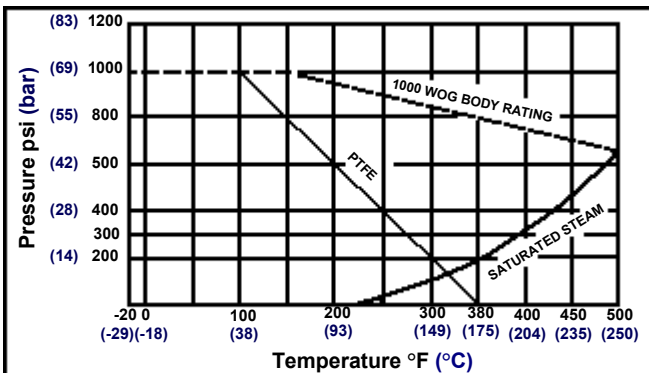
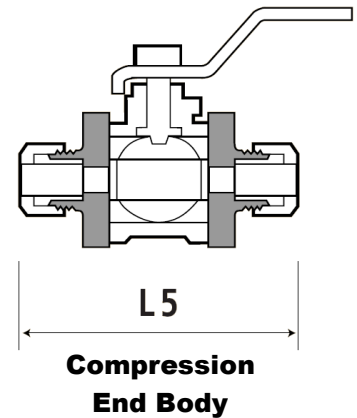
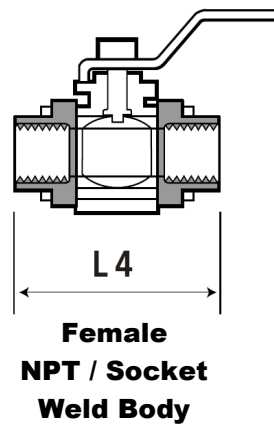
7606 SW Bridgeport Road · Portland, Oregon 97224 USA

Phone 971-249-1600 · Fax 971-249-1601 www.evanscomponents.com





Item	Description	Material
1	Body	CF8/CF8M
2	End Cap-Flange	CF8/CF8M
3	Ball	SS316
4	Bolt Washers	SS304
5	Bolt Nuts	SS304
6	Bolt	SS304
7	Seat Ring	PTFE + 15% Glass Fiber
8	Body Seal	PTFE
9	Thrust Washer	PTFE
10	Stem Seal	PTFE
11	Stem	SS316
12	Gland Nut	SS304
13	Handle Washer	SS304
14	Handle Nut	SS304
15	Locking Pad	SS304
16	Handle	SS304
17	Handle Cover	Plastic



Size	Port	M	H	L1	L2	L3	L4	L5
1/4"	0.39	4.5	2.0	N/A	N/A	N/A	2.36	3.18
3/8"	0.47	4.5	2.0	N/A	N/A	N/A	2.36	3.18
1/2"	0.63	4.5	2.5	5.06	6.95	8.85	2.95	4.06
3/4"	0.78	5.0	2.5	5.89	7.53	8.99	3.32	4.06
1"	0.98	6.0	3.25	6.26	7.96	9.66	3.67	5.38
1-1/2"	1.57	8.0	3.75	7.83	8.56	10.68	4.72	C/F
2"	1.97	8.0	4.25	9.07	10.14	11.22	5.51	C/F
2-1/2"	2.56	11.5	4.25	11.42	12.30	13.18	7.28	N/A
3"	3.15	11.5	6.5	12.19	16.33	20.48	8.07	N/A
4"	3.93	13.0	7.25	13.74	17.74	21.74	9.45	N/A
6"	5.96	23.5	11.0	C/F	C/F	27.75	15.37	N/A

Dimensions are +/- 0.5"
*C/F - Consult Factory

PART NUMBERING / ORDER INFORMATION

PW - 32 - 64 - DHC2 - G U 32 - 144
1 2 3 4 5 6 7 8

Above part number describes a 4" X 2" DOUBLE HORIZONTAL CROSS, 4" 304L Schedule 10 pipe main, 144" long, 2" ball valve with 150 lb flange outlet connections.

1. Series Designator

PW - PW Series

2. Valve Size

04 - 1/4"	32 - 2"
06 - 3/8"	40 - 2-1/2"
08 - 1/2"	48 - 3"
12 - 3/4"	64 - 4"
16 - 1"	96 - 6"
24 - 1-1/2"	

3. Inlet Size Designator

(Inlet/Outlet 2-way valves, main pipe/tube for integrated valve assemblies)

04 - 1/4"	32 - 2"	160 - 10"
06 - 3/8"	40 - 2-1/2"	192 - 12"
08 - 1/2"	48 - 3"	
12 - 3/4"	64 - 4"	
16 - 1"	96 - 6"	
24 - 1-1/2"	128 - 8"	

4. Valve Assembly Pattern Designator

(Custom Patterns Available. Please consult factory)

STR - Straight 2-way
 DHC2 - Double Horizontal Cross (2 valves)
 DHC4 - Double Horizontal Cross (4 valves)
 DEHT2 - Double Extended Horizontal Tee (2 valves)
 DEVT2 - Double Extended Vertical Tee (2 valves)
 SHC1 - Single Horizontal Cross (1 valve)
 SHC2 - Single Horizontal Cross (2 valve)
 SHC1-90 - Single Horizontal Cross (1 valve 90° handle orientation)
 SHC2-90 - Single Horizontal Cross (2-valve 90° handle orientation)

5. Inlet Valve Connection Designator

C - Compression Fitting
 E - Pipe Socket Weld

F - Female NPT

G - 304L Sch. 10 Pipe

PL - Evans Presslok

W - 304L SS Tube

M - 316L SS Tube

L - 316L SS Sch. 10 Pipe

U - 150# Flange

RG - 304L Roll Groove Sch. 10 Pipe Ends

BG - 304L Roll Bevel Sch. 10 Pipe Ends

6. Outlet Valve Connection Designator

C - Compression Fitting

D - Plugged Compression Fitting

E - Pipe Socket Weld

F - Female NPT

G - 304L Sch. 10 Pipe

PL - Evans Presslok

W - 304L SS Tube

M - 316L SS Tube

J - 304L SS Sch. 5 JIS Pipe

I - 304L SS Sch. 10 JIS Pipe

L - 316L SS Sch. 10 Pipe

U - 150# Flange

7. Outlet Size Designator

(Integrated Valves Only)

04 - 1/4"	32 - 2"
06 - 3/8"	40 - 2-1/2"
08 - 1/2"	48 - 3"
12 - 3/4"	64 - 4"
16 - 1"	96 - 6"
24 - 1-1/2"	

8. Length of Main Designator / Inches

(Manifold Valves Only)

- Maximum length 288", 24ft (7m)
- Enter length in inches

9. Additional Options

PVC - PVC ANSI 150# Blind Flange bolted to outlet connection

PW Series Water Sticks

Evans PW Series

PCWS/R Hook-up Sticks



Evans Integrated Pressure / Temperature Gauge
"Bi-Dicator" 0-100psig / 0-140° F

Advantages of Evans Bi-dicator

- Replaces two devices with one
- Lower cost
- Fewer potential leak points
- Reduce overall footprint for tool hook-up
- Stainless case and stem



Pressfit System

Vic-Evans Pressfit® Piping System
For Process Cooling Water

PL Series
(PCW / CPCW / ICW)



Teflon Valve Rebuild Kits



Evans Components, Inc.

7606 Bridgeport Road

Portland, Oregon 97224

Phone: 971-249-1600

Fax: 971-249-1601

Web Site: www.evanscomponents.com

NOTE: Product availability and specifications contained herein are subject to change without notice. Consult local distributor or factory for potential revisions.

<u>Size</u>	<u>Part Number</u>
1/4" or 3/8"	VT-71BSKB
1/2"	VT-71BSKC
3/4"	VT-71BSKD
1"	VT-71BSKE
1-1/2"	VT-71BSKG
2"	VT-71BSKH
2-1/2"	VT-71BSKI
3"	VT-71BSKJ
4"	VT-71BSKK
6"(RP)	VT-71BSKL