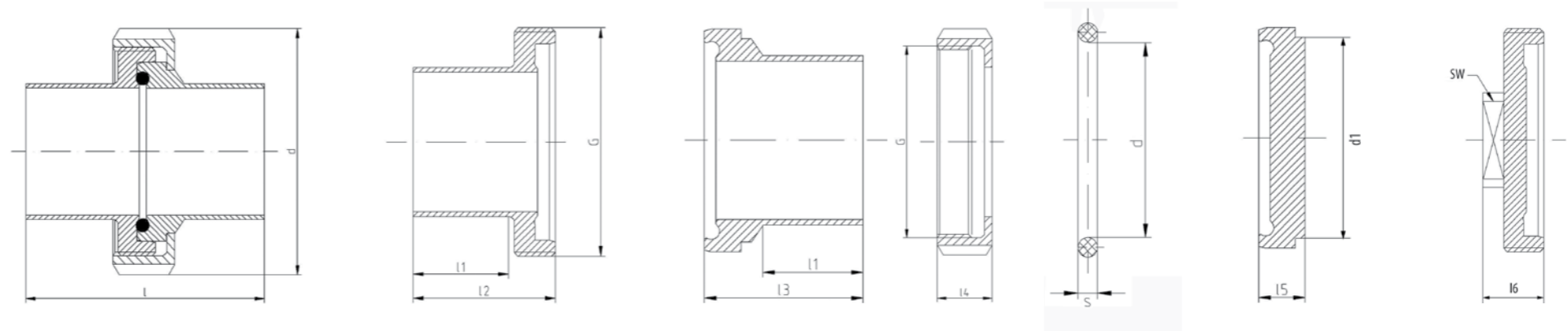


SCREW CONNECTION
AS PER
DIN 11864-1
FORM A





SCREW CONNECTION
AS PER
DIN 11864-1
FORM A

IMPERIAL NW/Size	Tube DIN 11866 d x s mm	Screw connection long		Threaded stub			Weld stub		Nut l4	O-ring Size	Blank weld stub		Blank threaded stub	
		l	d	G	l1	l2	l1	l3			d1	l5	SW	l6
1/2"	12.70 x 1.65	76.0	38.0	28 x 1/8"	27.0	41.0	27.0	39.0	18.0	12.0 x 3.5	18.0	9.0	SW 19	24.0
3/4"	19.05 x 1.65	76.0	44.0	34 x 1/8"	27.0	41.0	27.0	39.0	18.0	18.0 x 3.5	24.0	9.0	SW 24	24.0
1"	25.40 x 1.65	77.0	63.0	52 x 1/6"	26.0	43.0	26.0	40.0	21.0	24.0 x 3.5	35.0	12.0	SW 41	24.0
1 1/2"	38.10 x 1.65	88.0	78.0	65 x 1/6"	30.0	49.0	30.0	46.5	21.0	37.0 x 5.0	48.0	13.0	SW 50	24.0
2"	50.80 x 1.65	89.0	92.0	78 x 1/6"	30.0	49.0	30.0	47.5	22.0	50.0 x 5.0	61.0	14.0	SW 65	24.0
2 1/2"	63.50 x 1.65	115.0	112.0	95 x 1/6"	40.0	60.0	40.0	63.0	25.0	62.0 x 5.0	79.0	16.0	SW 80	28.0
3"	76.20 x 1.65	117.0	127.0	110 x 1/4"	40.0	64.0	40.0	61.0	29.0	75.0 x 5.0	93.0	16.0	SW 95	28.0
4"	101.60 x 2.11	119.0	148.0	130 x 1/4"	40.0	64.0	40.0	65.0	31.0	100.0 x 5.0	114.0	20.0	SW 115	30.0

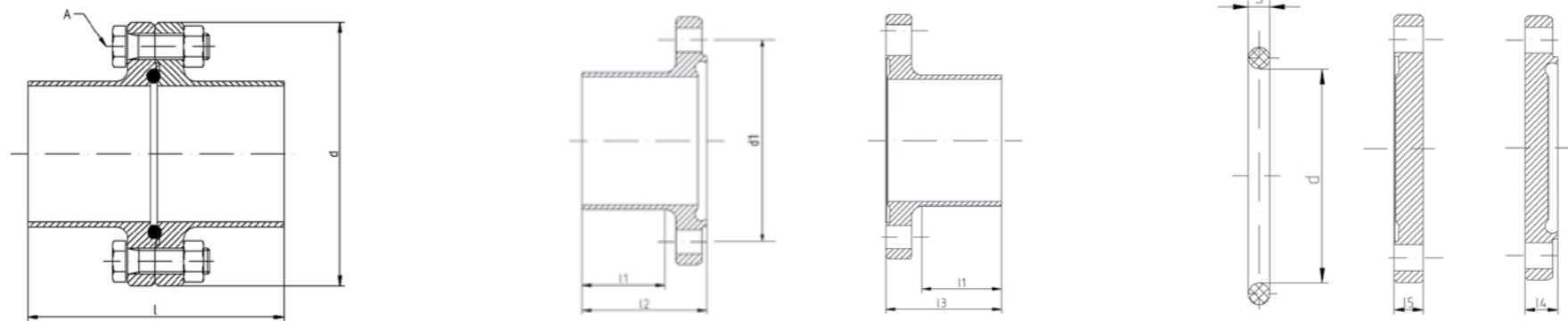


ISO NW/Size	Tube DIN 11866 d x s mm	Screw connection long		Threaded stub			Weld stub		Nut l4	O-ring Size	Blank weld stub		Blank threaded stub	
		l	d	G	l1	l2	l1	l3			d1	l5	SW	l6
8	13.50 x 1.60	76.0	38.0	28 x 1/8"	27.0	41.0	27.0	39.0	18.0	12.0 x 3.5	18.0	10.0	SW 19	22.0
10	17.20 x 1.60	76.0	44.0	34 x 1/8"	27.0	41.0	27.0	39.0	18.0	16.0 x 3.5	24.0	10.0	SW 24	22.0
15	21.30 x 1.60	78.0	54.0	44 x 1/6"	27.0	43.0	27.0	40.0	20.0	20.0 x 3.5	30.0	10.0	SW 30	24.0
20	26.90 x 1.60	78.0	63.0	52 x 1/6"	27.0	43.0	27.0	41.0	21.0	26.0 x 2.5	35.0	12.0	SW 41	24.0
25	33.70 x 2.00	88.0	70.0	58 x 1/6"	32.0	48.0	32.0	47.0	21.0	32.0 x 5.0	41.0	13.0	SW 46	24.0
32	42.40 x 2.00	88.0	78.0	65 x 1/6"	32.0	48.0	32.0	47.0	21.0	40.5 x 5.0	48.0	13.0	SW 50	24.0
40	48.30 x 2.00	90.0	92.0	78 x 1/6"	31.0	49.0	31.0	48.0	22.0	46.5 x 5.0	61.0	14.0	SW 65	24.0
50	60.30 x 2.00	114.0	112.0	95 x 1/6"	40.0	60.0	40.0	62.0	25.0	58.5 x 5.0	79.0	16.0	SW 80	28.0
65	76.10 x 2.00	117.0	127.0	110 x 1/4"	40.0	64.0	40.0	61.0	29.0	73.5 x 5.0	93.0	16.0	SW 95	28.0
80	88.90 x 2.30	122.0	148.0	130 x 1/4"	40.0	64.0	40.0	68.0	31.0	86.5 x 5.0	114.0	20.0	SW 115	30.0

METRIC NW/Size	Tube DIN 11866 d x s mm	Screw connection long		Threaded stub			Weld stub		Nut l4	O-ring Size	Blank weld stub		Blank threaded stub	
		l	d	G	l1	l2	l1	l3			d1	l5	SW	l6
10	13.00 x 1.50	76.0	38.0	28 x 1/8"	27.0	41.0	27.0	39.0	18.0	12.0 x 3.5	18.0	9.0	SW 19	24.0
15	19.00 x 1.50	76.0	44.0	34 x 1/8"	27.0	41.0	27.0	39.0	18.0	18.0 x 3.5	24.0	9.0	SW 24	24.0
20	23.00 x 1.50	76.0	54.0	44 x 1/6"	26.0	43.0	26.0	38.0	20.0	22.0 x 3.5	30.0	10.0	SW 30	24.0
25	29.00 x 1.50	77.0	63.0	52 x 1/6"	26.0	43.0	26.0	40.0	21.0	28.0 x 3.5	35.0	12.0	SW 41	24.0
32	35.00 x 1.50	88.0	70.0	58 x 1/6"	32.0	48.0	32.0	47.0	21.0	34.0 x 5.0	41.0	13.0	SW 46	24.0
40	41.00 x 1.50	88.0	78.0	65 x 1/6"	31.0	48.0	31.0	47.0	21.0	40.0 x 5.0	48.0	13.0	SW 50	24.0
50	53.00 x 1.50	89.0	92.0	78 x 1/6"	30.0	48.0	30.0	48.0	22.0	52.0 x 5.0	61.0	14.0	SW 65	24.0
65	70.00 x 2.00	113.0	112.0	95 x 1/6"	40.0	60.0	40.0	61.0	25.0	68.0 x 5.0	79.0	16.0	SW 80	28.0
80	85.00 x 2.00	117.0	127.0	110 x 1/4"	40.0	64.0	40.0	61.0	29.0	83.0 x 5.0	93.0	16.0	SW 95	28.0
100	104.00 x 2.00	120.0	148.0	130 x 1/4"	40.0	64.0	40.0	66.0	31.0	102.0 x 5.0	114.0	20.0	SW 115	30.0

FLANGE CONNECTION
AS PER
DIN 11864-2
FORM A



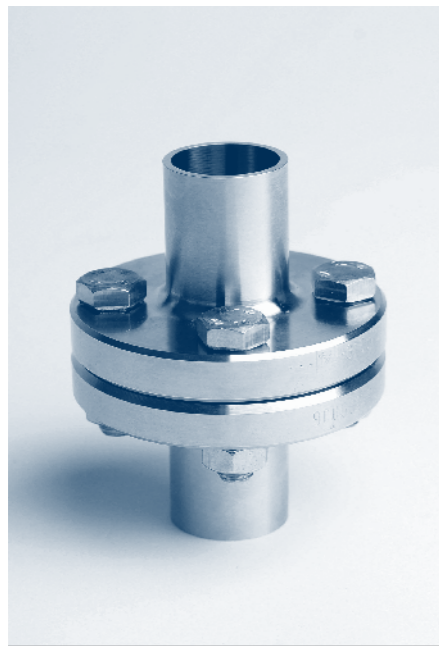


FLANGE CONNECTION
AS PER
DIN 11864-2
FORM A

IMPERIAL NW/Size	Tube d x s mm	Flanged connection		Hexagonal- nut A	Female flange			Male flange I3	Flange bore A1	O-ring d x s	Blank male flange I4	Blank female flange I5
		d	l		I2	I1	d1					
1/2"	12.7 x 1.65	54.0	80.0	4/M8 x 30	41.5	26.0	37.0	40.0	4 x Ø 9.0	12.0 x 3.5	10.0	11.5
3/4"	19.05 x 1.65	59.0	80.0	4/M8 x 30	41.5	26.0	42.0	40.0	4 x Ø 9.0	18.0 x 3.5	10.0	11.5
1"	25.4 x 1.65	66.0	80.0	4/M8 x 30	41.5	26.0	49.0	40.0	4 x Ø 9.0	24.0 x 3.5	10.0	11.5
1 1/2"	38.1 x 1.65	79.0	90.0	4/M8 x 30	46.5	31.0	62.0	45.0	4 x Ø 9.0	37.0 x 5.0	10.0	11.5
2"	50.8 x 1.65	92.0	90.0	4/M8 x 30	46.5	31.0	75.0	45.0	4 x Ø 9.0	50.0 x 5.0	10.0	11.5
2 1/2"	63.5 x 1.65	107.0	108.0	8/M8 x 30	55.5	42.0	89.0	54.0	8 x Ø 9.0	62.0 x 5.0	10.0	11.5
3"	76.2 x 1.65	125.0	112.0	8/M10 x 30	57.5	42.0	104.0	56.0	8 x Ø 11.0	75.0 x 5.0	12.0	13.5
4"	101.6 x 2.11	157.0	116.0	8/M10 x 35	59.5	42.0	135.0	58.0	8 x Ø 11.0	100.0 x 5.0	14.0	15.5

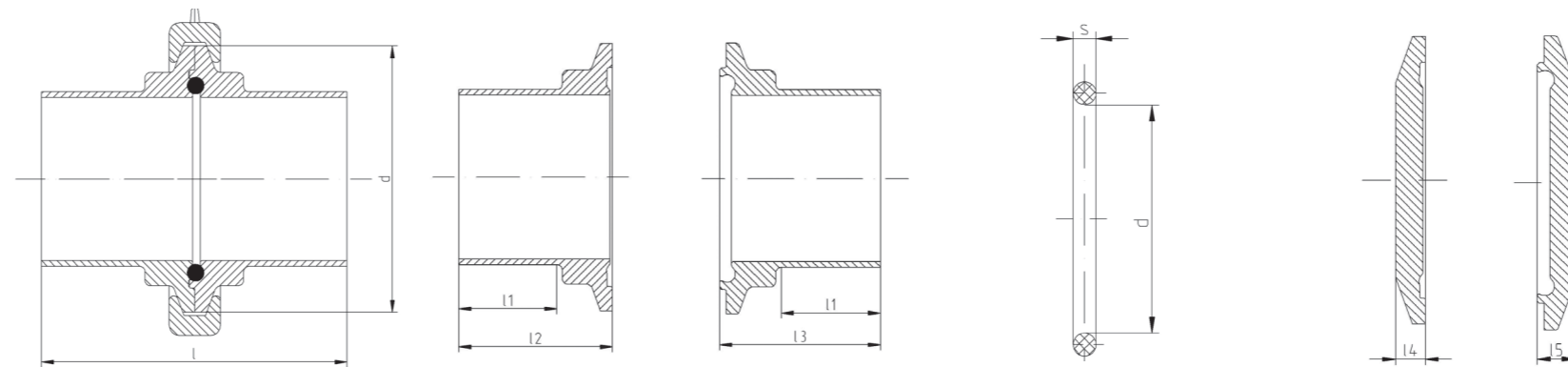
ISO NW/Size	Tube d x s mm	Flanged connection		Hexagonal- nut A	Female flange			Male flange I3	Flange bore A1	O-ring d x s	Blank male flange I4	Blank female flange I5
		d	l		I2	I1	d1					
8	13.50 x 1.60	54.0	80.0	4/M8 x 30	41.5	26.0	37.0	40.0	4 x Ø 9.0	12.0 x 3.5	10.0	11.5
10	17.20 x 1.60	59.0	80.0	4/M8 x 30	41.5	26.0	42.0	40.0	4 x Ø 9.0	16.0 x 3.5	10.0	11.5
15	21.30 x 1.60	62.0	80.0	4/M8 x 30	41.5	26.0	45.0	40.0	4 x Ø 9.0	20.0 x 3.5	10.0	11.5
20	26.90 x 1.60	69.0	80.0	4/M8 x 30	41.5	26.0	52.0	40.0	4 x Ø 9.0	26.0 x 3.5	10.0	11.5
25	33.70 x 2.00	74.0	90.0	4/M8 x 30	46.5	31.0	57.0	45.0	4 x Ø 9.0	32.0 x 5.0	10.0	11.5
32	42.40 x 2.00	82.0	90.0	4/M8 x 30	46.5	31.0	65.0	45.0	4 x Ø 9.0	40.5 x 5.0	10.0	11.5
40	48.30 x 2.00	88.0	90.0	4/M8 x 30	46.5	31.0	71.0	45.0	4 x Ø 9.0	46.5 x 5.0	10.0	11.5
50	60.30 x 2.00	103.0	108.0	4/M8 x 30	55.5	42.0	85.0	54.0	4 x Ø 9.0	58.5 x 5.0	10.0	11.5
65	76.10 x 2.00	125.0	112.0	8/M10 x 30	57.5	42.0	104.0	56.0	8 x Ø 11.0	73.5 x 5.0	12.0	13.5
80	88.90 x 2.30	137.0	116.0	8/M10 x 35	59.5	42.0	116.0	58.0	8 x Ø 11.0	86.5 x 5.0	12.0	13.5
100	114.30 x 2.30	168.0	116.0	8/M10 x 35	59.5	42.0	146.0	58.0	8 x Ø 11.0	111.0 x 5.0	14.0	15.5

METRIC NW/Size	Tube d x s mm	Flanged connection		Hexagonal- nut A	Female flange			Male flange I3	Flange bore A1	O-ring d x s	Blank male flange I4	Blank female flange I5
		d	l		I2	I1	d1					
10	13.0 x 1.50	54.0	80.0	4/M8 x 30	41.5	26.0	37.0	40.0	4 x Ø 9.0	12.0 x 3.5	10.0	11.5
15	19.0 x 1.50	59.0	80.0	4/M8 x 30	41.5	26.0	42.0	40.0	4 x Ø 9.0	18.0 x 3.5	10.0	11.5
20	23.0 x 1.50	64.0	80.0	4/M8 x 30	41.5	26.0	47.0	40.0	4 x Ø 9.0	22.0 x 3.5	10.0	11.5
25	29.0 x 1.50	70.0	80.0	4/M8 x 30	41.5	26.0	53.0	40.0	4 x Ø 9.0	28.0 x 3.5	10.0	11.5
32	35.0 x 1.50	76.0	90.0	4/M8 x 30	46.5	31.0	59.0	45.0	4 x Ø 9.0	34.0 x 5.0	10.0	11.5
40	41.0 x 1.50	82.0	90.0	4/M8 x 30	46.5	31.0	65.0	45.0	4 x Ø 9.0	40.0 x 5.0	10.0	11.5
50	53.0 x 1.50	94.0	90.0	4/M8 x 30	46.5	31.0	77.0	45.0	4 x Ø 9.0	52.0 x 5.0	10.0	11.5
65	70.0 x 2.00	113.0	108.0	8/M8 x 30	55.5	42.0	95.0	54.0	8 x Ø 9.0	68.0 x 5.0	10.0	11.5
80	85.0 x 2.00	133.0	116.0	8/M10 x 35	59.5	42.0	112.0	58.0	8 x Ø 11.0	83.0 x 5.0	12.0	13.5
100	104.0 x 2.00	159.0	116.0	8/M10 x 40	59.5	42.0	137.0	58.0	8 x Ø 11.0	102.0 x 5.0	14.0	15.5
125	129.0 x 2.00	183.0	120.0	8/M10 x 40	61.5	42.0	161.0	60.0	8 x Ø 11.0	127.0 x 5.0	14.0	15.5



CLAMP CONNECTION
AS PER
DIN 11864-3
FORM A





CLAMP CONNECTION
AS PER
DIN 11864-3
FORM A



IMPERIAL NW/Size	Tube d x s mm	Clamp connection long		Clamp weld stub		Clamp nut		O-ring d x s	Coupling Size	Blank weld stub I4	Blank nut stub I5
		I	d	I1	I2	I1	I3				
1/2"	12.70 x 1.65	76.0	34.0	26.0	38.0	26.0	39.5	12.0 x 3.5	0	8.0	10.0
3/4"	19.05 x 1.65	76.0	34.0	26.0	38.0	26.0	39.5	18.0 x 3.5	0	8.0	10.0
1"	25.40 x 1.65	77.0	50.5	28.0	38.5	28.0	40.0	24.0 x 3.5	2	10.0	11.5
1 1/2"	38.10 x 1.65	88.0	64.0	30.0	44.0	30.0	45.5	37.0 x 5.0	3	10.0	11.5
2"	50.80 x 1.65	89.0	77.5	30.0	44.5	30.0	46.0	50.0 x 5.0	4	10.0	11.5
2 1/2"	63.50 x 1.65	115.0	91.0	40.0	57.5	40.0	59.0	62.0 x 5.0	5	10.0	11.5
3"	76.20 x 1.65	117.0	106.0	40.0	58.5	40.0	60.0	75.0 x 5.0	6	12.0	13.5
4"	101.60 x 2.11	119.0	130.0	40.0	59.5	40.0	61.0	100.0 x 5.0	8	14.0	15.5

ISO NW/Size	Tube d x s mm	Clamp connection long		Clamp weld stub		Clamp nut		O-ring d x s	Coupling Size	Blank weld stub I4	Blank nut stub I5
		I	d	I1	I2	I1	I3				
8	13.50 x 1.60	76.0	34.0	26.0	38.0	26.0	39.5	12.0 x 3.5	0	8.0	10.0
10	17.20 x 1.60	76.0	34.0	26.0	38.0	26.0	39.5	16.0 x 3.5	0	8.0	10.0
15	21.30 x 1.60	78.0	34.0	26.0	39.0	26.0	40.5	20.0 x 3.5	0	10.0	11.5
20	26.90 x 1.60	78.0	50.5	30.0	39.0	30.0	40.0	26.0 x 3.5	2	10.0	11.5
25	33.70 x 2.00	88.0	50.5	30.0	44.0	30.0	45.5	32.0 x 5.0	2	10.0	11.5
32	42.40 x 2.00	88.0	64.0	30.0	44.0	30.0	45.5	40.5 x 5.0	3	10.0	11.5
40	48.30 x 2.00	90.0	64.0	30.0	45.0	30.0	46.5	46.5 x 5.0	3	10.0	11.5
50	60.30 x 2.00	114.0	91.0	40.0	57.0	40.0	58.5	58.5 x 5.0	5	10.0	11.5
65	76.10 x 2.00	117.0	106.0	40.0	58.5	40.0	60.0	73.5 x 5.0	6	12.0	13.5
80	88.90 x 2.30	122.0	119.0	40.0	61.0	40.0	62.5	86.5 x 5.0	7	12.0	13.5

METRIC NW/Size	Tube d x s mm	Clamp connection long		Clamp weld stub		Clamp nut		O-ring d x s	Coupling Size	Blank weld stub I4	Blank nut stub I5
		I	d	I1	I2	I1	I3				
10	13.00 x 1.50	76.0	34.0	26.0	38.0	26.0	39.5	12.0 x 3.5	0	10.0	11.5
15	19.00 x 1.50	76.0	34.0	26.0	38.0	26.0	39.5	18.0 x 3.5	0	10.0	11.5
20	23.00 x 1.50	76.0	50.5	26.0	38.0	26.0	39.5	22.0 x 3.5	2	10.0	11.5
25	29.00 x 1.50	77.0	50.5	28.0	38.5	28.0	40.0	28.0 x 3.5	2	10.0	11.5
32	35.00 x 1.50	88.0	50.5	30.0	44.0	30.0	45.5	34.0 x 5.0	2	10.0	11.5
40	41.00 x 1.50	88.0	64.0	30.0	44.0	30.0	45.5	40.0 x 5.0	3	10.0	11.5
50	53.00 x 1.50	89.0	77.5	30.0	44.5	30.0	46.0	52.0 x 5.0	4	10.0	11.5
65	70.00 x 2.00	113.0	91.0	40.0	56.5	40.0	58.0	68.0 x 5.0	5	10.0	11.5
80	85.00 x 2.00	117.0	106.0	40.0	58.5	40.0	60.0	83.0 x 5.0	6	12.0	13.5
100	104.00 x 2.00	120.0	130.0	40.0	60.0	40.0	61.5	102.0 x 5.0	8	14.0	15.5